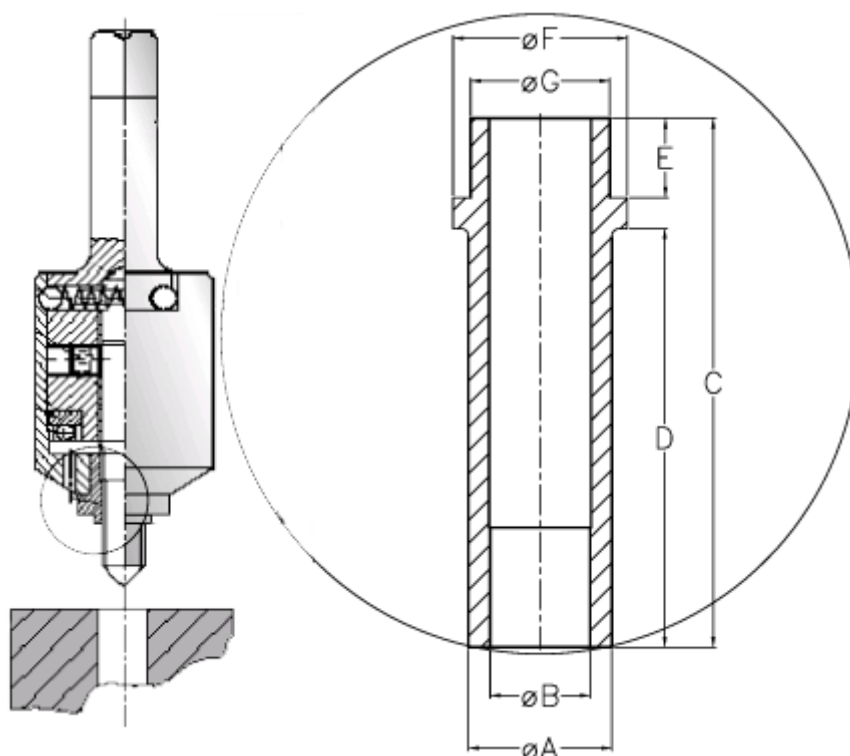


Article number: 126200035300

Description: Guide bush 620 0 035.300
For M3,5

Measures



A = 6 +/-0,1

B = 3,6 +0,1

C = 10.0

D = 1.5

E = 6

F = 10

G = 6,6 r6